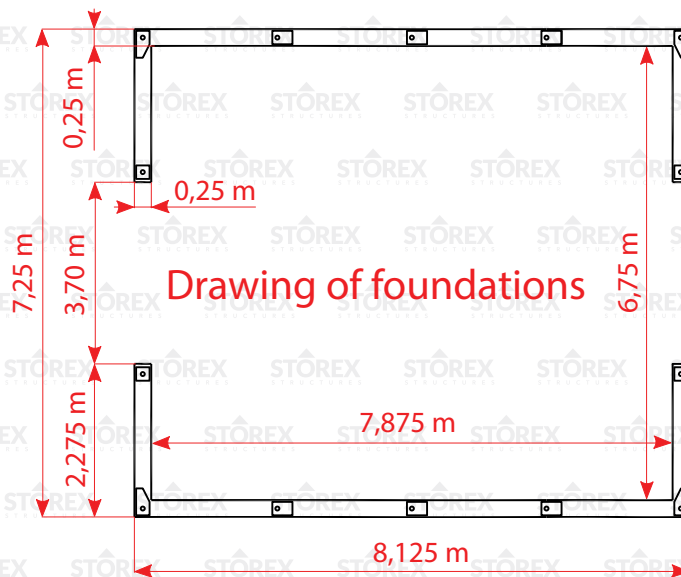
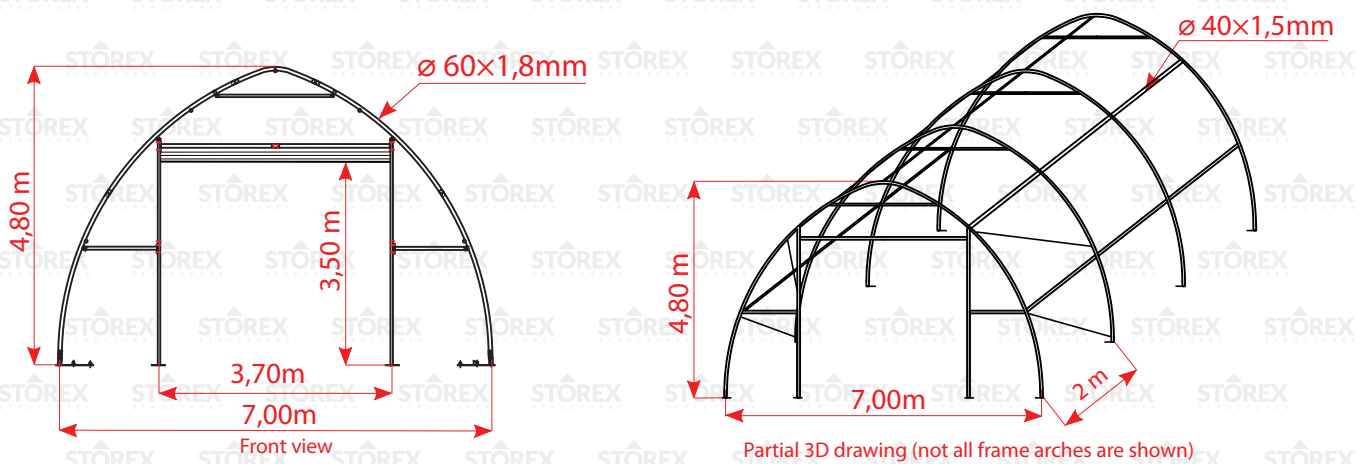


MARCO 56

Technical drawings

8 × 7 × 4,8 m, 56 m²



Drawing of foundations